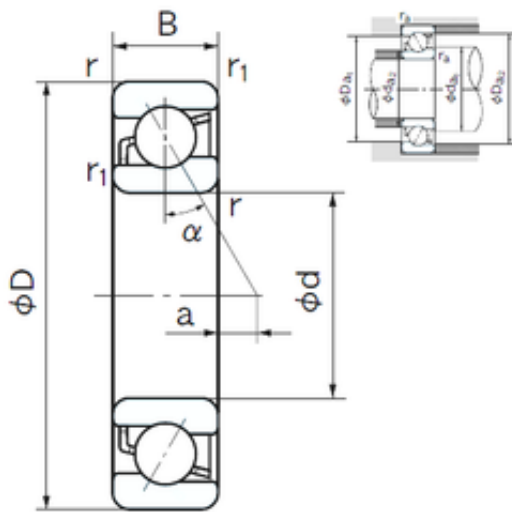




Seo-NTN Driveshaft USA CORP.



7206 Bearing 2D drawings and 3D CAD models

7206 CD/P4a-O&Kai SKF NSK NTN NACHI
Koyo Timken Z1V1 Z2V2 Z3V3 Taper Roller
Bearings, ISO

Bearing No. 7206

Size	30x62x16 mm
Bore Diameter	30 mm
Outer Diameter	62 mm
Width	16 mm
d	30 mm
D	62 mm
B	16 mm
C	16 mm
Angle (°)	30 °
a	5.3 mm
r min.	1 mm
r1 min.	0.6 mm
da min.	36 mm
Da max.	56 mm
ra max.	1 mm
Weight	0.210 Kg
Basic dynamic load rating (C)	22,5 kN
Basic static load rating (C0)	14,8 kN
(Grease) Lubrication Speed	10000 r/min
Configuration	Single Row
Enclosure	Open
Bore Type	Cylindrical Bore
Bore Size	30 mm
Outside Diameter	62 mm



Seo-NTN Driveshaft USA CORP.

Width	16 mm
Fillet Radius/Chamfer	1 mm
r1	0.6 mm
Dynamic Load Rating	22,500 N
Static Load Rating	14,800 N
Limiting Speed - Grease	10,000 rpm
Limiting Speed - Oil	13,000 rpm
da1 (min)	36 mm
da2 (min)	33 mm
Da1 (max)	56 mm
Da2 (max)	58.4 mm
ra (max)	1 mm
ra1 (max)	0.6 mm